

SFC1850

FLANGE CLMP SDE MTD W/FST SUPP

UPC: 784610190107

Country of Origin:

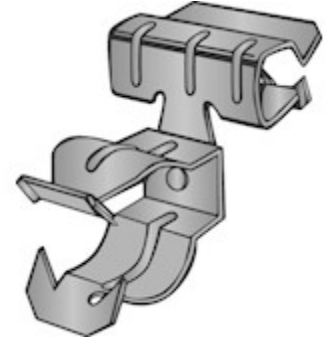
UNSPSC: 31162306

USA

Commodity: Mounting hangers



Made in USA per Federal Trade Commission 1998



*Side Mount Flange Clamp with Push In Conduit Clip,
Hammer On Clamp Fits 1/8 to 1/4" Flange, Conduit Clip
Fits 1/2" EMT, Spring Steel*

Product Attributes

Brand Name	Minerallac Company
Sub Brand	Blackclaw
Type	Flange Mount Conduit Clip Assembly
Application	Suspends conduit from the side of beam.
Material	Spring Steel
Finish	Black Phosphate
Mounting	Hammer-on Flange Clip
Size	Fits 1/8" – 1/4" Flange Thickness
Color	Black
Installation	Hammer-On
Hanger Type	Conduit Clip
Pipe Size	Fits 1/2" EMT

Compliance Information

- ARRA Compliant
- BAA Compliant
- RoHS Compliant
- UL Compliant

Item Status: Active

Standard Qty: 100

Minerallac Company

Tel: 800-927-3293

Fax: 800-824-8942

www.minerallac.com

WARRANTY DISCLAIMER The information, data and recommendations contained herein may not be all inclusive or specific to your situation, and should only be used as a guide. The information is furnished upon the condition that the person receiving it shall make his/her own determination of the suitability of the product for his/her particular use and on condition that they assume the risk of the use thereof.

With respect to this publication and the product related thereto, except otherwise expressly provided by Manufacturer in writing, MANUFACTURER MAKES NO EXPRESS OR IMPLIED WARRANTY OF MERCHANTABILITY, FITNESS FOR A PARTICULAR PURPOSE OR ANY OTHER EXPRESS OR IMPLIED WARRANTY.

Remedy/Liability Limits The exclusive remedy for losses or damages resulting from this publication or the related product (including claims based on contract, negligence, strict liability or other legal theories) shall be limited to, at Manufacturer's sole election, one of the following: 1. Refund of purchase price paid by buyer or user for product bought, or 2. Replacement of amount of product used.

Manufacturer shall not be liable for losses or damages resulting from use of this publication or handling or use of this product, IN NO CASE SHALL

MANUFACTURER BE LIABLE FOR CONSEQUENTIAL OR INCIDENTAL DAMAGES OR LOSSES, INCLUDING WITHOUT LIMIT, HEALTH RELATED DAMAGES OR INJURIES, OR LOST PROFITS.

The terms of this Warranty Disclaimer and Remedy/Liability Limits cannot be varied by any written or verbal statements or agreements. No employee or sales agent of

Manufacturer or the seller is authorized to vary or exceed the terms of this Warranty Disclaimer or Limitation of Remedies in any manner